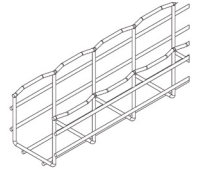
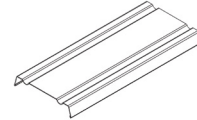
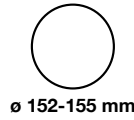
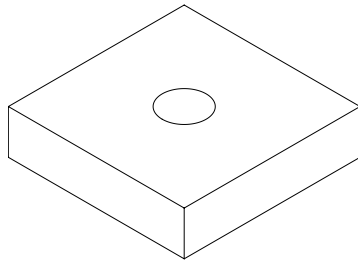


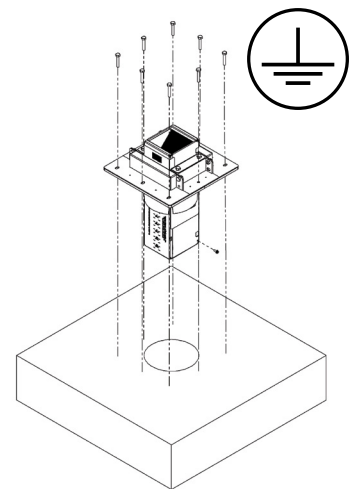
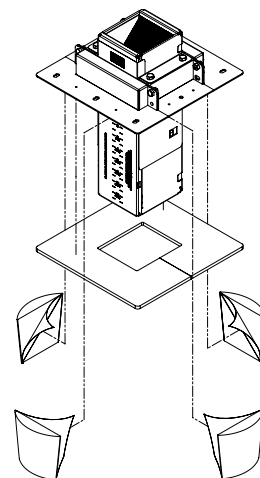
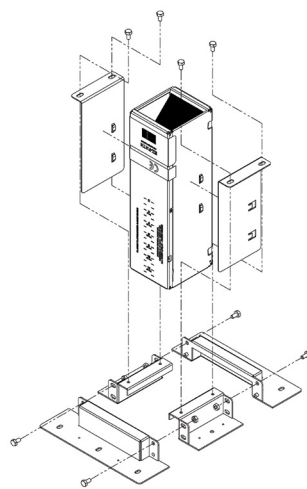
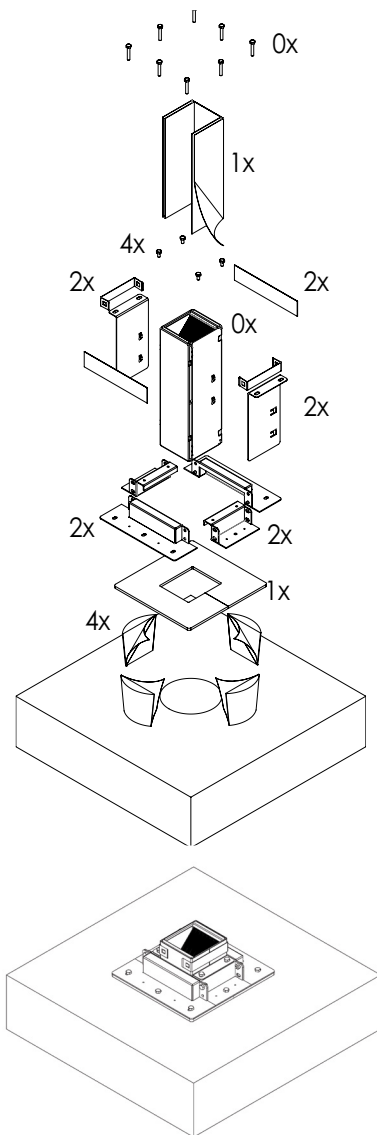
EZD44T
250 058



1.

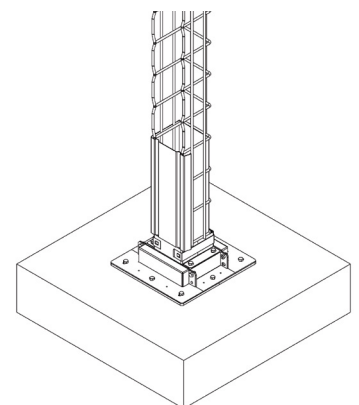
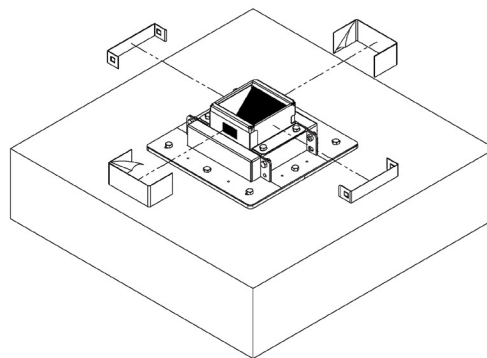
2.

3.



4.

5.



NOTE: FOR WARRANTY INFORMATION PLEASE VISIT WWW.STIFIRESTOP.COM/WARRANTY



CABLOFIL®

A Group brand



www.ezpath-solution.com