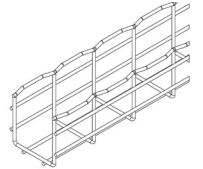
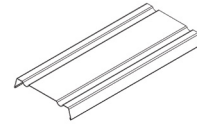
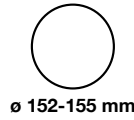
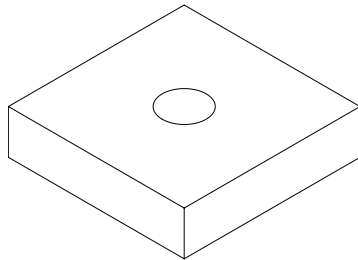


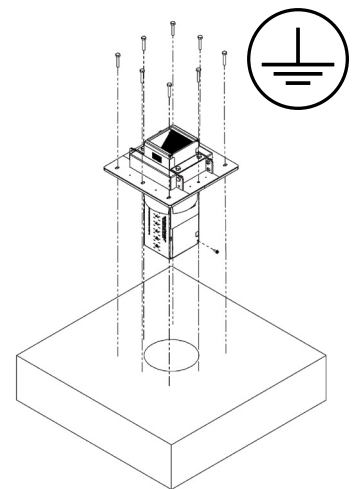
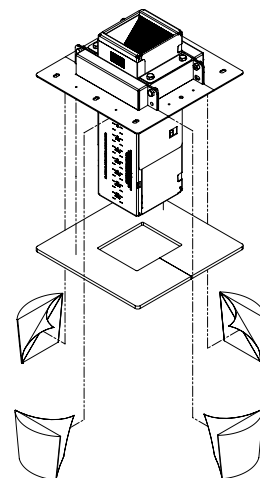
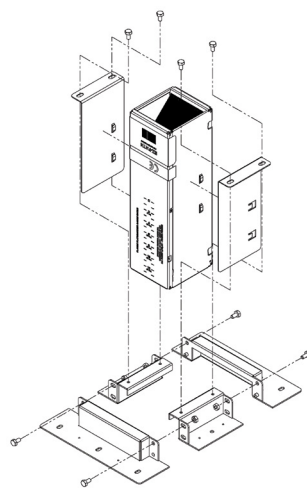
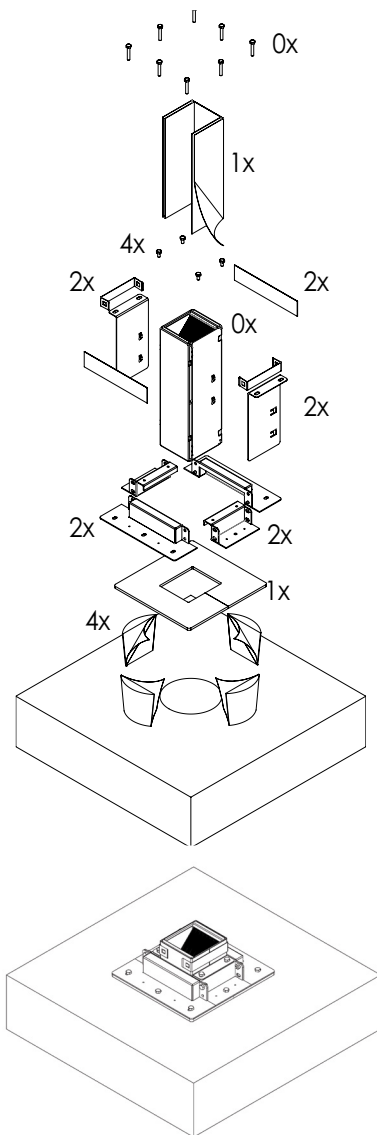
EZD44T  
250 058



1.

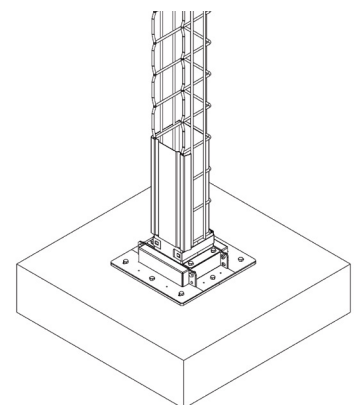
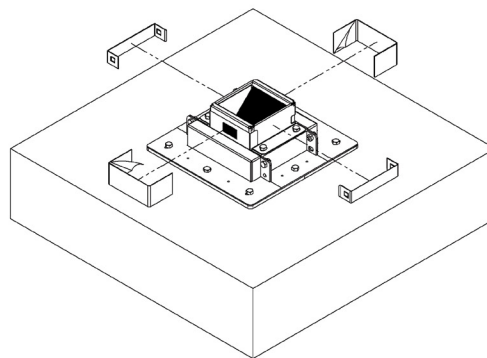
2.

3.



4.

5.



NOTE: FOR WARRANTY INFORMATION PLEASE VISIT [WWW.STIFIRESTOP.COM/WARRANTY](http://WWW.STIFIRESTOP.COM/WARRANTY)



# CABLOFIL®

A Group brand



[www.ezpath-solution.com](http://www.ezpath-solution.com)