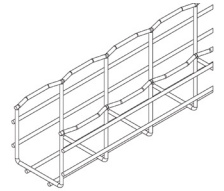
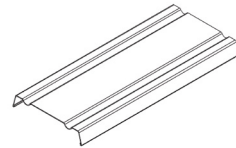
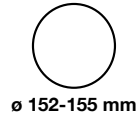
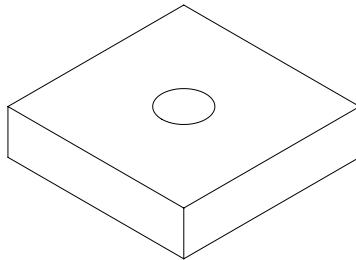


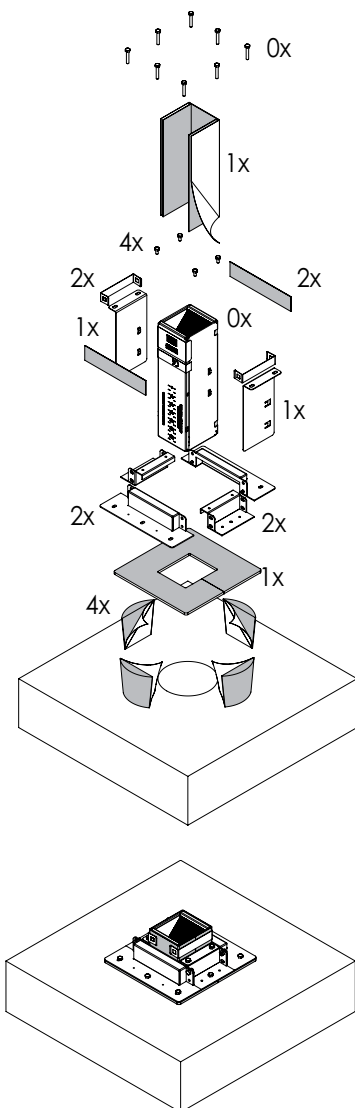
EZD44T
250 058



1.

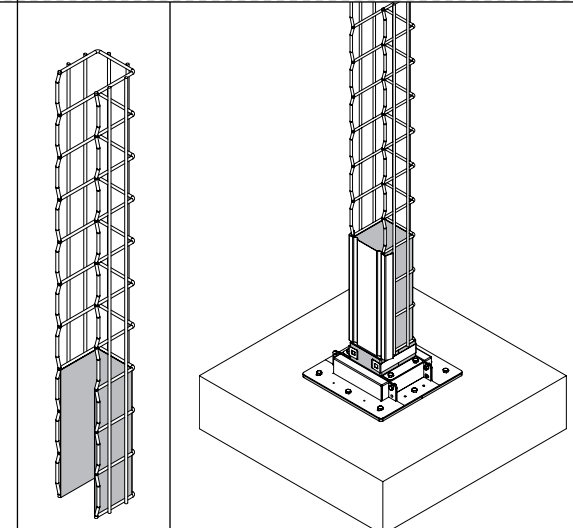
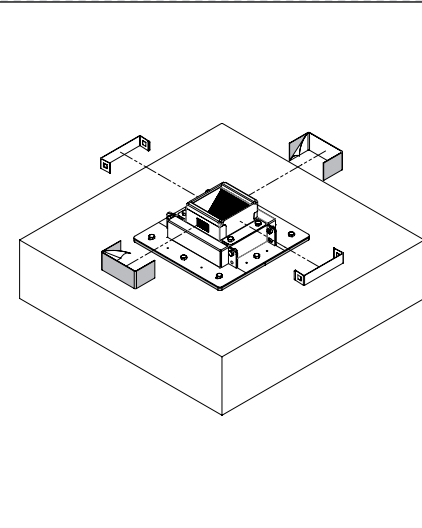
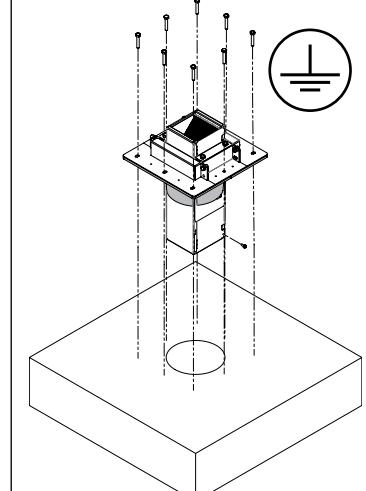
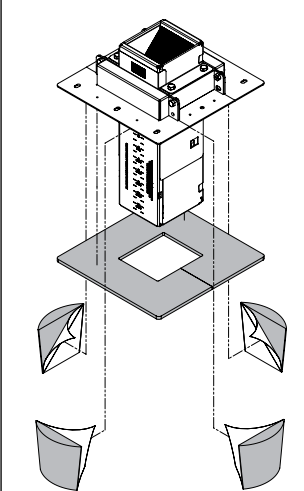
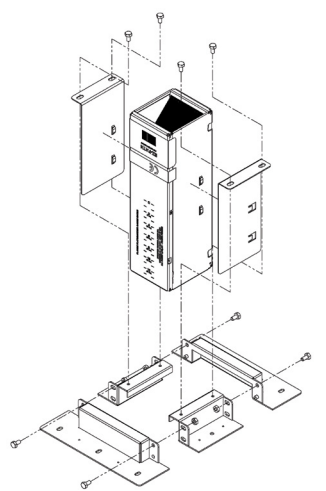
2.

3.



4.

5.



NOTE: FOR WARRANTY INFORMATION PLEASE VISIT WWW.STIFIRESTOP.COM/WARRANTY



CABLOFIL[®]

A Group brand



www.ezpath-solution.com