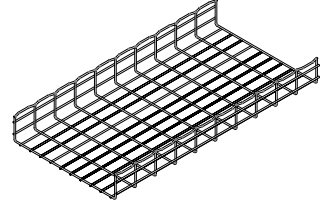
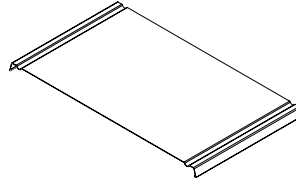
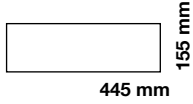
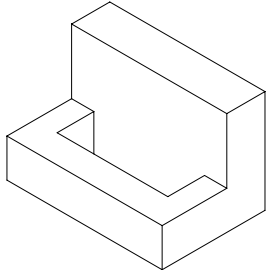
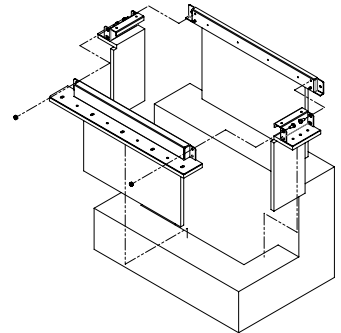
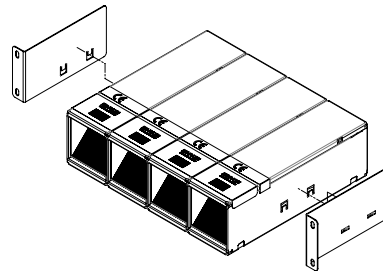
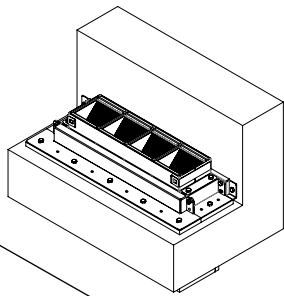


EZD44T  
250 058



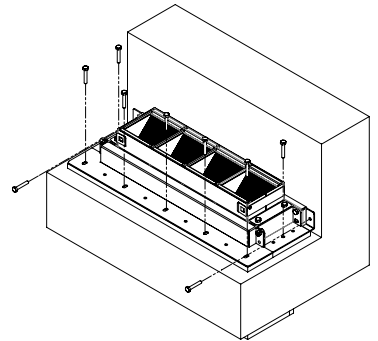
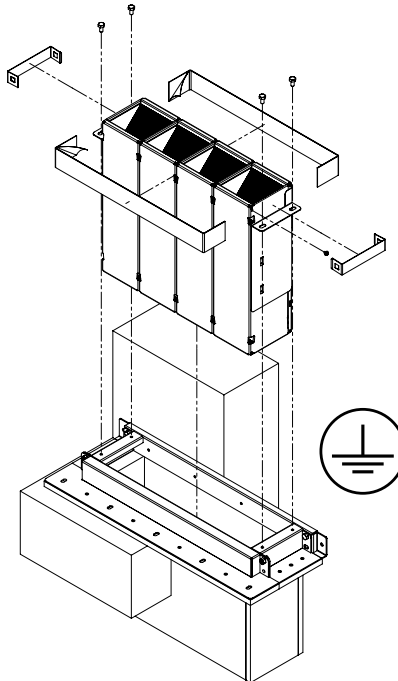
1.

2.

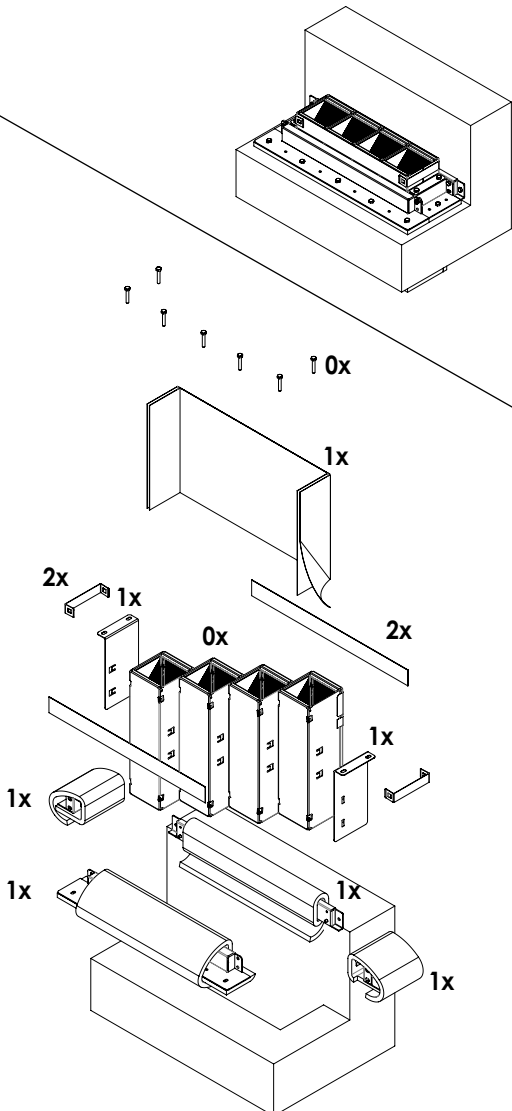
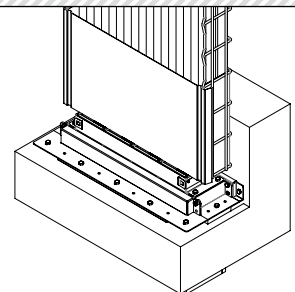


3.

4.



5.



NOTE: FOR WARRANTY INFORMATION PLEASE VISIT [WWW.STIFIRESTOP.COM/WARRANTY](http://WWW.STIFIRESTOP.COM/WARRANTY)



**CABLOFIL®**

A Group brand



[www.ezpath-solution.com](http://www.ezpath-solution.com)