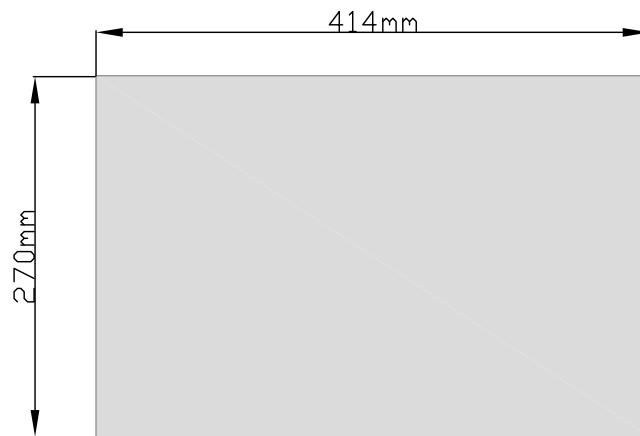
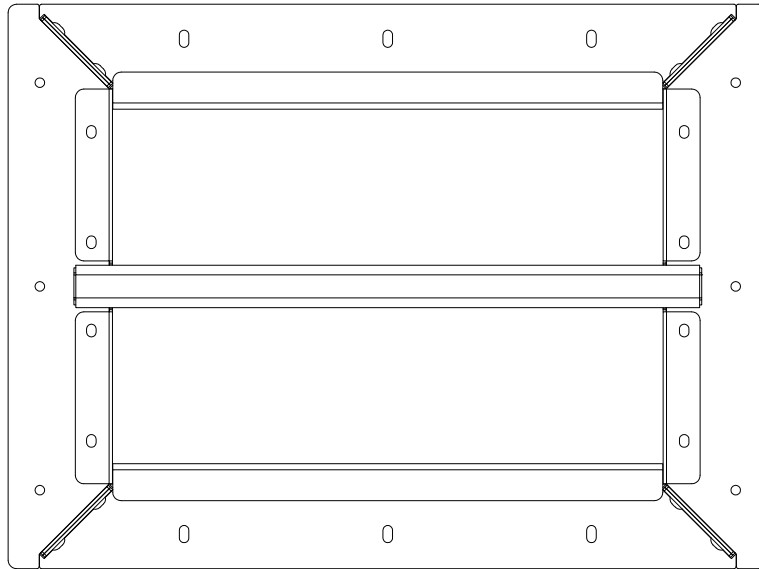
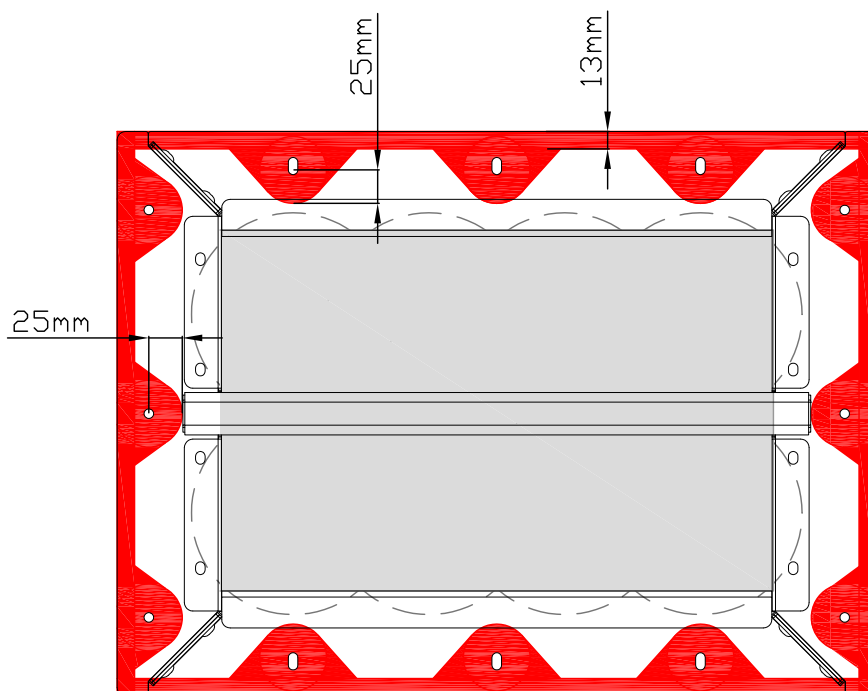


EZG844



Recommended opening size



Minimum overlapping of the grid over concrete