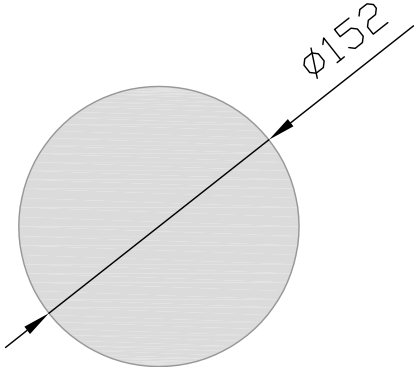
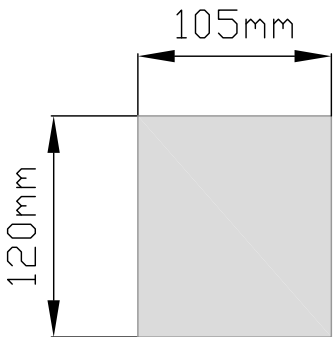
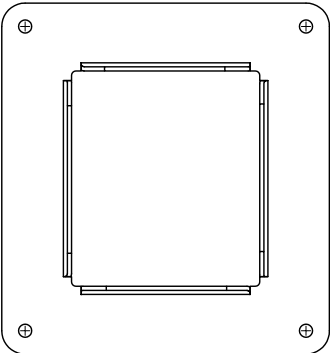
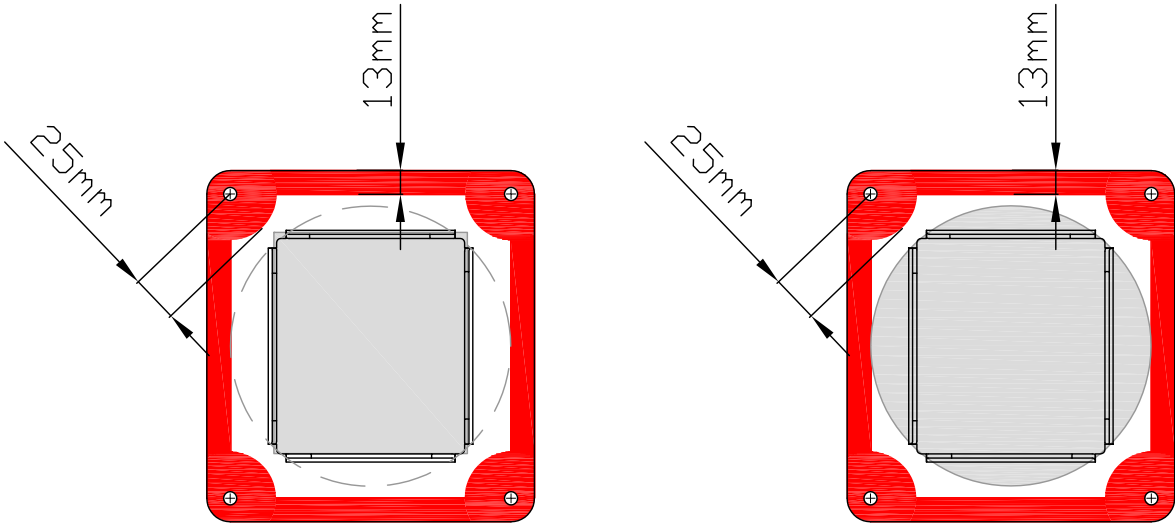


EZP144W



Recommended opening size



Minimum overlapping of the plate over concrete