

# CABLOFIL®

INNOVATORS IN CABLE MANAGEMENT

## EZ-PATH FIRESTOP DEVICE GAS AND AIRTIGHT SEALING

### AIRTIGHT SEALING TEST

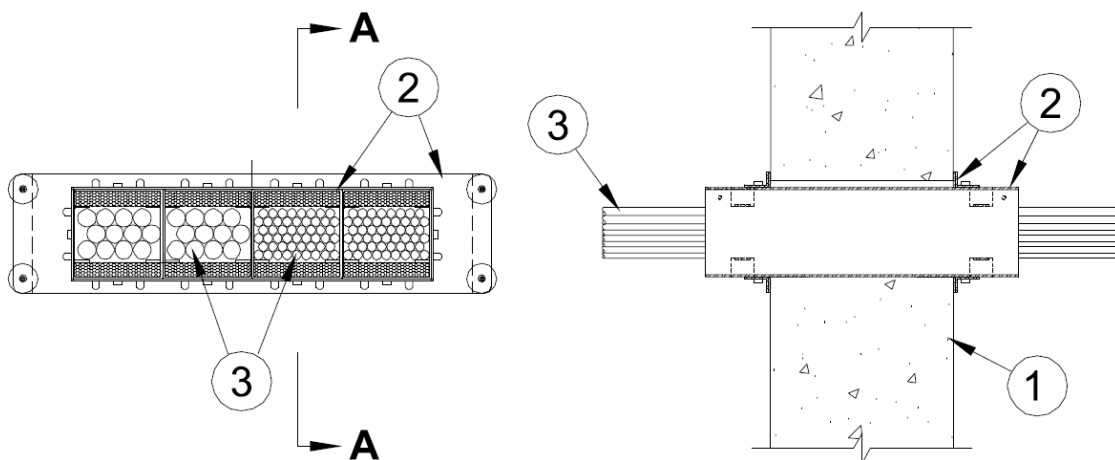
The test was carried out in accordance to the American standard NFPA 101 ("Code for Safety to Life from Fire in Buildings and Structures") in order to assist the relevant authorities in determining the suitability of firestop systems for the protection of penetrations and openings in floors from the movement of smoke and harmful gasses.

The test determines the amount of air leaked, in cubic metres per hour (m<sup>3</sup>/hr) through the firestop system at room temperature and at 205°C and at an air pressure differential of 76 Pa. For the test, the device is filled to capacity with various types and sizes of cables.

The recorded leak does not exceed 6m<sup>3</sup>/h at room temperature (20°C). This decreases when the temperature increases. At 205°C, the EZ-Path leakage is only 3m<sup>3</sup>/h. Over 205°C, the device becomes completely airtight.

### RESULTS

- **EZ-Path. Model EZD 33**

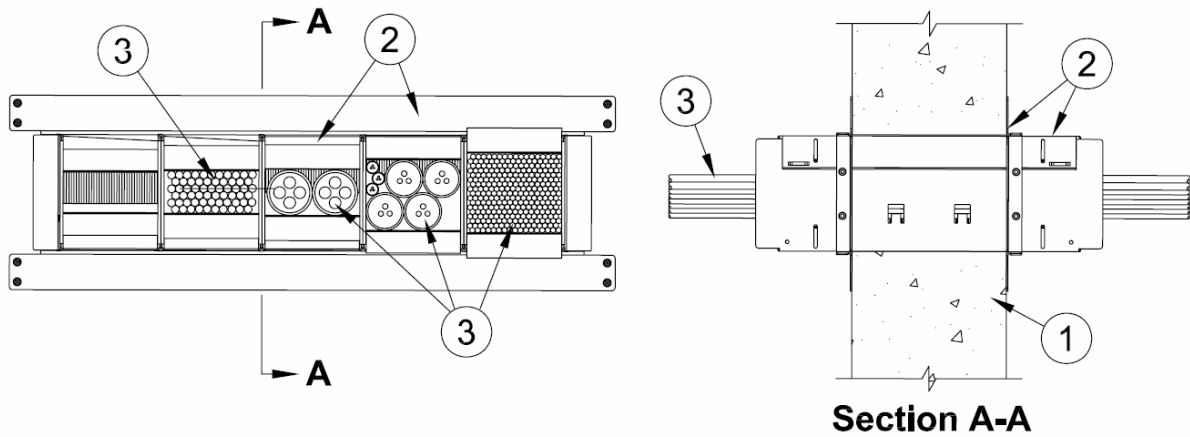


Temperature	Leak rate - m <sup>3</sup> / hour/Module
Room temperature (20°C)	6 m <sup>3</sup> /h

All tests and certificates were carried out by independent and accredited laboratories.

205°C	3 m3/h
Temperature greater than 205°C	0 m3/h

- **EZ-Path. Model EZD 44**



Temperature	Leakage rate – m3/hour/device
Room temperature (20°C)	9 m3/h
205°C	4.5 m3/h
Temperature exceeding 205°C	0 m3/h

In the case of a fire, the intumescent product within the EZ-Path expands to ensure a perfect sealing of the cable route. The device becomes completely airtight, even when exposed to highly pressurised jets of water.

**CABLOFIL – STI**  
 1 route de Semur  
 F - 21500 MONTBARD  
 Tel: +33 (0)3 80 89 58 89  
 Fax: +33 (0)3 80 89 58 97



**CABLOFIL®**  
 INNOVATORS IN CABLE MANAGEMENT

All tests and certificates were carried out by independent and accredited laboratories.